

# **PARTS MANUAL**

**CHALLENGER**

**H165XL, H190XL**

**H210XL, H230XL**

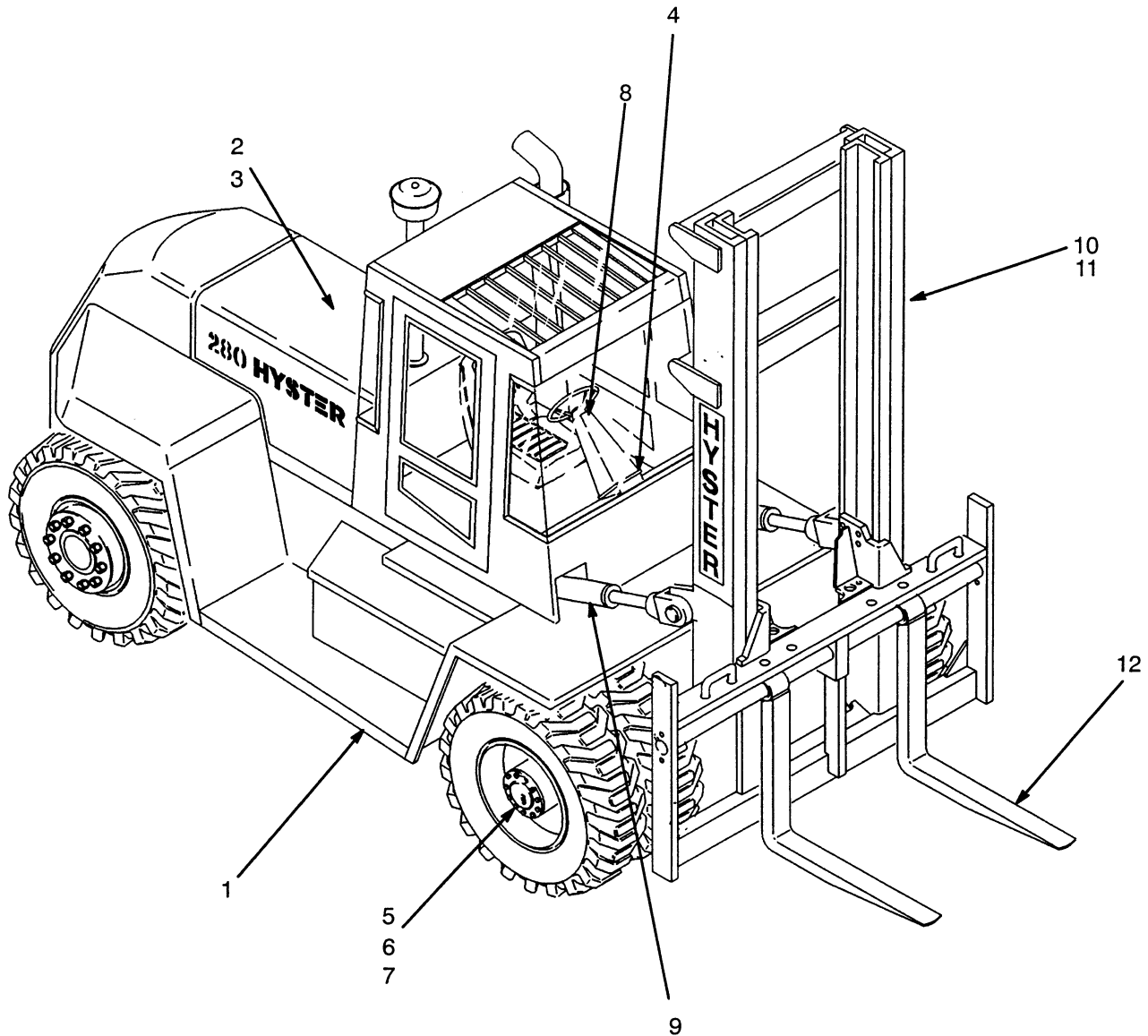
**H250XL, H280XL**

**(E7)**

**CUSTOMER EDITION**

# ***HYSTER***

## ILLUSTRATED CONTENTS



REF	SECTION	PAGE
1	FRAME .....	Page 1
2	ENGINE .....	Page 33
3	FUEL .....	Page 121
4	ELECTRICAL .....	Page 179
5	BRAKE .....	Page 217
6	TRANSMISSION .....	Page 259
7	DRIVE AXLE .....	Page 291
8	STEERING .....	Page 301
9	HYDRAULIC .....	Page 311
10	VISTA 2-STG NFL MAST .....	Page 345
11	A783 THREE STAGE FULL FREE LIFT MAST .....	Page 361
12	OPTIONAL .....	Page 387
13	NUMMERICAL INDEX .....	Page 413

## TABLE OF CONTENTS

<u>DESCRIPTION</u>	<u>PAGE</u>
<b>A</b>	
AIR COMPRESSOR (Figure 121) LAST USED ON ENGINE S/N U563738X .....	Page 230
AIR COMPRESSOR (Figure 122) USED ON ENIGNE S/N U563739X UP TO UNIT S/N E7D-2050 .....	Page 232
AIR COMPRESSOR (Figure 123) UP TO ENGINE S/N U593028 .....	Page 234
AIR COMPRESSOR (Figure 124) USED ON ENGINE S/N U593029 THRU U607097 FIRST USED ON UNIT S/N E7D-2050 .....	Page 236
AIR COMPRESSOR (Figure 125) FIRST USED ON ENGINE S/N U607098 AND UNIT S/N E7D-3217 .....	Page 238
AIR COMPRESSOR (Figure 126) FIRST USED ON 366 LPG ENGINE .....	Page 240
AIR DUCTS (Figure 57) TURBO-DIESEL .....	Page 106
AIR FILTER (Figure 84) DIESEL TURBO WITH LOW EMISSIONS FIRST USED ON S/N E7D-3217 .....	Page 162
AIR FILTER (Figure 75) NON TURBO-DIESEL .....	Page 144
AIR FILTER (Figure 76) LPG .....	Page 146
AIR FILTER (Figure 83) TURBO-DIESEL WITHOUT LOW EMISSIONS .....	Page 160
AIR TANK (Figure 116) DIESEL LAST USED ON S/N E7D-1615 .....	Page 224
AIR TANK (Figure 117) DIESEL AND LPG FIRST USED ON S/N E7D-1616 .....	Page 225

**TABLE OF CONTENTS**

<u>DESCRIPTION</u>	<u>PAGE</u>
<b>A (Continued)</b>	
AIR TANK (Figure 118) WITH AUTOSHIFT FIRST USED ON S/N E007D-3325 .....	Page 226
ALTERNATOR (Figure 103) DIESEL-LAST USED ON S/N E7D-2133 IDENTIFY BY "DELCO" .....	Page 200
ALTERNATOR (Figure 104) LPG DIESEL-FIRST USED ON S/N E7D-2134 .....	Page 202
ALTERNATOR MOUNTING (Figure 105) DIESEL WITHOUT LOW EMISSIONS .....	Page 204
ALTERNATOR MOUNTING (Figure 106) DIESEL WITH LOW EMISSIONS AND NATURALLY ASPIRATED FIRST USED ON S/N E7D-3217 .....	Page 206
ALTERNATOR MOUNTING (Figure 107) LPG .....	Page 208
ALTERNATOR OPTIONAL (Figure 102) DIESEL LAST USED ON S/N E7D-2133 IDENTIFY BY "PRESTOLITE" .....	Page 198
AUXILIARY DRIVE GEAR (Figure 36) DIESEL LAST USED ON S/N E7D-2050 .....	Page 70
AUXILIARY DRIVE GEAR (Figure 37) DIESEL FIRST USED ON S/N E7D-2051 .....	Page 72
<b>B</b>	
BACKUP ALARM (Figure 214) .....	Page 412
BRAKE CHAMBER (Figure 134) .....	Page 252
BRAKE LINE WITH AUTOSHIFT (Figure 119) FIRST USED ON S/N E007D-3325 .....	Page 227
BRAKE LINES (Figure 114) LAST USED ON S/N E7D-1548 .....	Page 220

**Thanks very much for your reading,  
Want to get more information,  
Please click here, Then get the complete  
manual**

**JustClickHere** 

**NOTE:**

**If there is no response to click on the link above,  
please download the PDF document first, and then  
click on it.**

**Have any questions please write to me:  
[admin@servicemanualperfect.com](mailto:admin@servicemanualperfect.com)**

## TABLE OF CONTENTS

<u>DESCRIPTION</u>	<u>PAGE</u>
<b>B (Continued)</b>	
BRAKE LINES (Figure 115) LPG and DIESEL -FIRST USED ON S/N E7D-1549 .....	Page 222
BRAKE SYSTEM (Figure 132) LAST USED ON S/N E7D-2862 .....	Page 248
BRAKE SYSTEM (Figure 133) FIRST USED ON S/N E7D-2863 .....	Page 250
<b>C</b>	
CAB (Figure 2) .....	Page 4
CARRAIGE (Figure 201) DUAL FUNCTION PIN QUICK DISCONNECT FIRST USED ON S/N E7D-3265 .....	Page 394
CARRIAGE (Figure 185) .....	Page 356
CARRIAGE (Figure 194) 3 STG FULL FREE LIFT WITH SIDESHIFT .....	Page 378
CARRIAGE (Figure 195) 3 STG FULL FREE LIFT WITH SIDESHIFT AND FORK POSITIONER .	Page 380
CHARGE PUMP (Figure 151) .....	Page 284
CLUTCH (Figure 146) FORWARD AND LOW .....	Page 276
CLUTCH (Figure 147) REVERSE AND SECOND .....	Page 278
CLUTCH (Figure 148) THIRD .....	Page 280
COMPRESSOR MOUNTING (Figure 127) LPG .....	Page 242
CONTROL VALVE (Figure 168) TWO FUNCTION .....	Page 322

**TABLE OF CONTENTS**

<u>DESCRIPTION</u>	<u>PAGE</u>
<b>C (Continued)</b>	
CONTROL VALVE (Figure 171) THREE FUNCTION .....	Page 328
CONTROL VALVE (Figure 173) FOUR FUNCTION .....	Page 332
CONTROL VALVE (Figure 175) FIVE FUNCTION .....	Page 336
COOLING (Figure 21) TURBO-DIESEL AND NON-TURBO .....	Page 42
COOLING (Figure 22) LPG .....	Page 44
COUNTERWEIGHT (Figure 14) .....	Page 28
CRANKSHAFT And PISTON (Figure 29) NON-TURBO-DIESEL WITH AND WITHOUT SOUND REDUCTION .....	Page 56
CRANKSHAFT And PISTON (Figure 30) TURBO-DIESEL WITH AND WITHOUT LOW EMISSIONS DIESEL NATURALLY ASPIRATED .....	Page 58
CYLINDER BLOCK (Figure 59) LPG .....	Page 110
CYLINDER BLOCK (Figure 25) NON-TURBO-DIESEL WITH AND WITHOUT SOUND REDUCTION .....	Page 48
CYLINDER BLOCK (Figure 26) TURBO-DIESEL WITHOUT LOW EMISSIONS .....	Page 50
CYLINDER BLOCK (Figure 27) TURBO-DIESEL WITH LOW EMISSIONS FIRST USED ON S/N E7D-3217 .....	Page 52
CYLINDER BLOCK (Figure 28) DIESEL NATURALLY ASPIRATED FIRST USED ON S/N E7D-3217 .....	Page 54
CYLINDER HEAD AND VALVES (Figure 60) LPG .....	Page 112
CYLINDER HEAD (Figure 31) NON-TURBO-DIESEL WITH AND WITHOUT SOUND REDUCTION .....	Page 60

## TABLE OF CONTENTS

**DESCRIPTION** **PAGE**

---

### C (Continued)

CYLINDER HEAD (Figure 32) TURBO-DIESEL WITHOUT LOW EMISSIONS .....	Page 62
CYLINDER HEAD (Figure 33) TURBO-DIESEL WITH EMISSIONS NON-TURBO DIESEL NATURALLY ASPIRATED FIRST USED ON S/N E7D-3217 .....	Page 64

### D

DIFFERENTIAL AND CARRIER (Figure 157) LAST USED ON S/N E7D-1759 .....	Page 296
DIFFERENTIAL AND CARRIER (Figure 158) FIRST USED ON S/N E7D-1760 .....	Page 298
DISTRIBUTOR (Figure 101) LPG .....	Page 196
DRIVE AXLE (Figure 155) DIESEL-NON-EMISSIONS LAST USED ON S/N E7D-2862 .....	Page 292
DRIVE AXLE (Figure 156) FIRST USED ON S/N E7D-2863 .....	Page 294

### E

ELECTRICAL (Figure 96) DIESEL WITH AUTOSHIFT FIRST USED ON S/N E007D-3325 .....	Page 186
ELECTRICAL SYSTEM (Figure 94) DIESEL WITHOUT AUTOSHIFT .....	Page 182
ELECTRICAL SYSTEM (Figure 95) DIESEL .....	Page 184
ELECTRICAL SYSTEM (Figure 98) LPG WITHOUT AUTOSHIFT .....	Page 190



**TABLE OF CONTENTS**

**DESCRIPTION** **PAGE**

---

**E (Continued)**

EXHAUST (Figure 18)  
NON-TURBO-DIESEL ..... Page 38

EXHAUST (Figure 19)  
TURBO-DIESEL ..... Page 39

EXHAUST (Figure 20)  
LPG ..... Page 40

**F**

FAN (Figure 15) ..... Page 29

FIRE EXTINGUISHER (Figure 213) ..... Page 411

FLOODLIGHTS (Figure 208) ..... Page 404

FLOORPLATES AND COVERS (Figure 7) ..... Page 14

FLOW REGULATOR (Figure 179) ..... Page 343

FLYWHEEL (Figure 23)  
DIESEL ..... Page 46

FLYWHEEL (Figure 24)  
LPG ..... Page 47

FORK POSITIONER CYLINDER (Figure 196) ..... Page 382

FORK POSITIONER VALVE (Figure 197) ..... Page 383

FORKS (Figure 204) ..... Page 398

FREE-LIFT CYLINDER (Figure 193)  
THREE-STAGE FULL FREE-LIFT MAST ..... Page 376

FREE-LIFT (Figure 192)  
THREE-STAGE FULL FREE-LIFT MAST ..... Page 374

## TABLE OF CONTENTS

<u>DESCRIPTION</u>	<u>PAGE</u>
<b>F (Continued)</b>	
FUEL FILTER (Figure 82) TURBO-DIESEL WITH LOW EMISSIONS DIESEL-NATURALLY ASPIRATED FIRST USED ON S/N E7D-3217 .....	Page 158
FUEL INJECTION (Figure 78) TURBO-DIESEL WITH LOW EMISSIONS FIRST USED ON S/N E7D-3217 .....	Page 150
FUEL INJECTION (Figure 79) DIESEL NATURALLY ASPIRATED FIRST USED ON S/N E7D-3217 .....	Page 152
FUEL INJECTION (Figure 66) NON TURBO-DIESEL WITHOUT LOW EMISSIONS .....	Page 128
FUEL INJECTION (Figure 77) TURBO-DIESEL WITHOUT LOW EMISSIONS .....	Page 148
FUEL INTAKE (Figure 64) DIESEL .....	Page 124
FUEL PRE-FILTER (Figure 65) .....	Page 126
FUEL TANK (Figure 70) LPG .....	Page 136
<b>H</b>	
HEADER HOSE (Figure 198) (THREE AND FOUR FUNCTION) THREE-STAGE FULL FREE-LIFT MAST .....	Page 384
HEADER HOSE (Figure 207) (FIVE FUNCTION) DUAL FUNCTION SIDE SHIFT FORK POSITIONER FIRST USED ON S/N E7D-3265 .....	Page 402
HEADER HOSES (Figure 186) .....	Page 358
HEATER CONTROL (Figure 8) .....	Page 16
HEATER (Figure 5) DIESEL .....	Page 10

**TABLE OF CONTENTS**

<u>DESCRIPTION</u>	<u>PAGE</u>
<b>H (Continued)</b>	
HEATER (Figure 6) LPG .....	Page 12
HOOD (Figure 12) WITHOUT LOW EMISSIONS .....	Page 24
HOOD (Figure 13) WITH LOW EMISSIONS FIRST USED ON S/N E7D-3217 .....	Page 26
HYDRAULIC CYLINDER (Figure 202) DUAL FUNCTION PIN QUICK DISCONNECT FIRST USED ON S/N E7D-3265 .....	Page 396
HYDRAULIC PUMP (Figure 166) .....	Page 318
HYDRAULIC SYSTEM (Figure 164) .....	Page 312
HYDRAULIC TANK (Figure 165) .....	Page 316
<b>I</b>	
IDLER SHAFT (Figure 149) .....	Page 282
INNER MAST (Figure 181) .....	Page 348
INNER MAST (Figure 189) THREE-STAGE FULL FREE-LIFT MAST .....	Page 366
INSTRUMENT PANEL (Figure 100) LPG .....	Page 194
INSTRUMENT PANEL (Figure 97) DIESEL .....	Page 188
INTAKE MANIFOLD (Figure 61) LPG .....	Page 114
INTERMEDIATE MAST (Figure 188) THREE-STAGE FULL FREE-LIFT MAST .....	Page 364

**TABLE OF CONTENTS**

<u>DESCRIPTION</u>	<u>PAGE</u>
<b>L</b>	
LABELS (Figure 11) .....	Page 22
LIFT CYLINDER (Figure 183) LAST USED ON S/N E7D-2580 .....	Page 352
LIFT CYLINDER (Figure 184) FIRST USED ON S/N E7D-2581 .....	Page 354
LIFT (Figure 182) .....	Page 350
LIFT PUMP (Figure 68) .....	Page 132
LOW PRESSURE SYSTEM (Figure 81) TURBO-DIESEL WITH LOW EMISSIONS AND NATURALLY ASPIRATED FIRST USED ON S/N E7D-3217 .....	Page 156
LOW PRESSURE SYSTEM (Figure 67) NON TURBO-DIESEL WITHOUT LOW EMISSIONS .....	Page 130
LOW PRESSURE SYSTEM (Figure 80) TURBO-DIESEL WITHOUT LOW EMISSIONS .....	Page 154
LPG CONVERTER (Figure 74) .....	Page 143
LPG FUEL SYSTEM (Figure 71) .....	Page 138
LPG LOCK-OFF AND FILTER (Figure 73) .....	Page 142
LPG TANK MOUNTING (Figure 69) .....	Page 134
LUBE SYSTEM (Figure 58) TURBO-DIESEL .....	Page 108
<b>M</b>	
MAIN LIFT CYLINDER (Figure 191) THREE-STAGE FULL FREE-LIFT MAST .....	Page 372
MAIN LIFT (Figure 190) THREE-STAGE FULL FREE-LIFT MAST .....	Page 368
MANIFOLDS (Figure 48) NON-TURBO-DIESEL WITH AND WITHOUT SOUND REDUCTION .....	Page 90

**TABLE OF CONTENTS**

<u>DESCRIPTION</u>	<u>PAGE</u>
<b>M (Continued)</b>	
MANIFOLDS (Figure 49) TURBO-DIESEL WITHOUT LOW EMISSIONS .....	Page 92
MANIFOLDS (Figure 50) TURBO-DIESEL WITH EMISSIONS FIRST USED ON S/N E7D-3217 .....	Page 93
MANIFOLDS (Figure 51) NON-TURBO DIESEL NATURALLY ASPIRATED FIRST USED ON S/N E7D-3217 .....	Page 94
MODULATOR VALVE (Figure 152) .....	Page 286
MONOTROL PEDAL (Figure 154) .....	Page 290
<b>O</b>	
OIL FILTER (Figure 44) NON-TURBO-DIESEL WITH AND WITHOUT SOUND REDUCTION, NATURALLY ASPIRATED .....	Page 86
OIL FILTER (Figure 45) DIESEL TURBO WITHOUT LOW EMISSIONS UP TO ENGINE S/N U647451C .....	Page 87
OIL FILTER (Figure 46) DIESEL TURBO WITHOUT LOW EMISSIONS ENGINE S/N U647452C AND UP .....	Page 88
OIL FILTER (Figure 47) DIESEL TURBO WITH LOW EMISSIONS .....	Page 89
OIL PAN (Figure 39) TURBO-DIESEL WITHOUT LOW EMISSIONS .....	Page 76
OIL PAN (Figure 38) NON-TURBO-DIESEL WITH AND WITHOUT SOUND REDUCTION .....	Page 74
OIL PAN (Figure 40) TURBO-DIESEL WITH LOW EMISSIONS DIESEL NATURALLY ASPIRATED FIRST USED ON S/N E7D-3217 .....	Page 78
OIL PUMP AND PAN (Figure 62) LPG .....	Page 116

**TABLE OF CONTENTS**

<b>DESCRIPTION</b>	<b>PAGE</b>
<b>O (Continued)</b>	
OPERATOR COMPARTMENT (Figure 1) WITHOUT CAB .....	Page 2
OPERATOR COMPARTMENT (Figure 3) WITH CAB .....	Page 6
OPERATOR COMPARTMENT (Figure 4) WITH CAB (CONTINUED) .....	Page 8
OUTER MAST (Figure 180) .....	Page 346
OUTER MAST (Figure 187) THREE-STAGE FULL FREE-LIFT MAST .....	Page 362
OUTPUT GEARS (Figure 150) .....	Page 283
<b>P</b>	
PARK BRAKE VALVE (Figure 136) LAST USED ON S/N E7D-1548 .....	Page 256
PARK BRAKE VALVE (Figure 137) FIRST USED S/N E7D-1549 .....	Page 257
PIN FORKS (Figure 205) FIRST USED ON S/N E7D-3265 .....	Page 399
PNEUMATIC SOLENOID VALVE (Figure 120) FIRST USED ON S/N E007D-3325 .....	Page 228
POWERTRAIN MOUNT (Figure 17) .....	Page 37
PUMP DRIVE GEARS (Figure 145) .....	Page 274
<b>Q</b>	
QUICK DISCONNECT FORKS (Figure 206) FIRST USED ON S/N E7D-3265 .....	Page 400

**TABLE OF CONTENTS**

<u>DESCRIPTION</u>	<u>PAGE</u>
<b>R</b>	
RANGE CONTROL (Figure 139) WITHOUT AUTOSHIFT .....	Page 262
RANGE CONTROL (Figure 140) WITH AUTOSHIFT FIRST USED ON TRANSMISSION S/N T050M-6089 FIRST USED ON S/N E007D-3325 .....	Page 264
RANGE CONTROL Figure 141 WITH AUTOSHIFT TRANSMISSION S/N T050M-6089 USED ON S/N E007D-3736 THRU S/N PENDING PER ECN 63481 ...	Page 266
RANGE CONTROL WITH AUTOSHIFT (Figure 142) FIRST USED ON S/N PENDING PER ECN 63481 .....	Page 268
ROTATING BEACON (Figure 211) .....	Page 409
<b>S</b>	
SELECTOR VALVE (Figure 203) FIRST USED ON S/N E7D-3265 .....	Page 397
SEMI-SUSPENSION SEAT (Figure 10) .....	Page 20
SIDESHIFT CARRIAGE (Figure 200) .....	Page 392
SIDESHIFT CYLINDER (Figure 212) .....	Page 410
STARTER (Figure 108) DIESEL .....	Page 210
STARTER (Figure 99) FIRST USED ON S/N PENDING ECN 63263-05 .....	Page 192
STEER pUMP (Figure 160) .....	Page 304
STEERING AXLE (Figure 162) .....	Page 308
STEERING CYLINDER (Figure 163) .....	Page 310

**TABLE OF CONTENTS**

<u>DESCRIPTION</u>	<u>PAGE</u>
<b>S(Continued)</b>	
STEERING (Figure 159) .....	Page 302
STROBE LIGHT (Figure 210) .....	Page 408
SUSPENSION SEAT (Figure 9) .....	Page 18
<b>T</b>	
THROTTLE LINKAGE (Figure 88) LOW-EMISSION DIESEL WITH AUTOSHIFT FIRST USED ON S/N E007D-3325 .....	Page 168
THROTTLE LINKAGE (Figure 85) DIESEL-NON EMISSIONS .....	Page 164
THROTTLE LINKAGE (Figure 86) TURBO-DIESEL-WITH LOW EMISSIONS DIESEL-NATURALLY ASPIRATED FIRST USED ON S/N E7D-3217 .....	Page 165
THROTTLE LINKAGE (Figure 87) NON-EMISSION DIESEL AND LPG WITH AUTOSHIFT FIRST USED ON S/N E007D-3325 .....	Page 166
THROTTLE LINKAGE (Figure 89) LPG .....	Page 170
THROTTLE PEDAL (Figure 92) MONOTROL PEDAL WITH AUTOSHIFT FIRST USED ON S/N E007D-3325 .....	Page 174
THROTTLE PEDAL (Figure 93) FORWARD/REVERSE LEVER WITH AUTOSHIFT FIRST USED ON S/N E007D-3325 .....	Page 176
THROTTLE PEDAL (Figure 90) FORWARD/REVERSE LEVER .....	Page 171
THROTTLE PEDAL (Figure 91) MONOTROL PEDAL .....	Page 172
TILT CYLINDER ATTACHING PARTS (Figure 176) .....	Page 338



**TABLE OF CONTENTS**

<u>DESCRIPTION</u>	<u>PAGE</u>
<b>T (Continued)</b>	
TILT CYLINDER (Figure 177) .....	Page 340
TILT LOCK VALVE (Figure 178) .....	Page 342
TIMING GEAR (Figure 34) NON-TURBO-DIESEL WITH AND WITHOUT SOUND REDUCTION .....	Page 66
TIMING GEAR (Figure 35) TURBO-DIESEL WITH AND WITHOUT LOW EMISSIONS NON-TURBO DIESEL NATURALLY ASPIRATED .....	Page 68
TIRE & WHEEL (Figure 199) .....	Page 388
TRANSMISSION ATTACHING PARTS (Figure 138) .....	Page 260
TRANSMISSION CONTROL VALVE (Figure 153) .....	Page 288
TRANSMISSION (Figure 143) LAST USED ON S/N T050M-6089 LAST USED ON TRANSMISSION S/N E007D-3325 .....	Page 270
TRANSMISSION (Figure 144) FIRST USED ON S/N T050M-6089 FIRST USED ON TRANSMISSION S/N E007D-3325 .....	Page 272
TREADLE VALVE AND ATTACHING PARTS (Figure 128) SERVICE BRAKE LAST USED ON S/N E7D-1548 .....	Page 244
TREADLE VALVE AND ATTACHING PARTS (Figure 129) SERVICE BRAKE FIRST USED ON S/N E7D-1549 .....	Page 245
TREADLE VALVE (Figure 135) .....	Page 254
TURBOCHARGER (Figure 55) TURBO-DIESEL WITHOUT LOW EMISSIONS .....	Page 102
TURBOCHARGER (Figure 56) WITH LOW EMISSIONS FIRST USED ON S/N E7E-3217 .....	Page 104

## TABLE OF CONTENTS

<u>DESCRIPTION</u>	<u>PAGE</u>
<b>V</b>	
VALVE AND ATTACHING PARTS (Figure 130) PARK BRAKE LAST USED ON S/N E7D-1548 .....	Page 246
VALVE AND ATTACHING PARTS (Figure 131) PARK BRAKE FIRST USED ON S/N E7D-1549 .....	Page 247
VALVE ATTACHING PARTS (Figure 167) TWO FUNCTION .....	Page 320
VALVE ATTACHING PARTS (Figure 169) THREE FUNCTION .....	Page 324
VALVE ATTACHING PARTS (Figure 170) DUAL FUNCTION SIDESHIFT FIRST USED ON S/N E7D-3265 .....	Page 326
VALVE ATTACHING PARTS (Figure 172) FOUR FUNCTION .....	Page 330
VALVE ATTACHING PARTS (Figure 174) FIVE FUNCTION .....	Page 334
VALVE BLOCK (Figure 161) .....	Page 306
VALVE COVER (Figure 41) NON-TURBO-DIESEL WITH AND WITHOUT SOUND REDUCTION .....	Page 80
VALVE COVER (Figure 42) TURBO-DIESEL WITHOUT LOW EMISSIONS .....	Page 82
VALVE COVER (Figure 43) TURBO-DIESEL WITH LOW EMISSIONS DIESEL NATURALLY ASPIRATED FIRST USED ON S/N E7D-3217 .....	Page 84
<b>W</b>	
WATER PUMP (Figure 52) DIESEL LAST USED ON S/N E7D-2050 .....	Page 96
WATER PUMP (Figure 53) DIESEL FIRST USED ON S/N E7D-2051 .....	Page 98

**TABLE OF CONTENTS**

<u>DESCRIPTION</u>	<u>PAGE</u>
<b>W (Continued)</b>	
WATER PUMP (Figure 54) TURBO-DIESEL WITH LOW EMISSIONS DIESEL-NATURALLY ASPIRATED FIRST USED ON S/N E7D-3217 .....	Page 100
WATER PUMP (Figure 63) LPG .....	Page 118
WINDSHIELD WASHER (Figure 16) .....	Page 30
WIRE HARNESS (Figure 109) CONTROL PANEL FIRST USED ON S/N E7D-3265 .....	Page 211
WIRE HARNESS (Figure 110) ENGINE COMPARTMENT FIRST USED ON S/N E007D-3325 .....	Page 212
WIRE HARNESS (Figure 111) CONTROLLER AUTOSHIFT FIRST USED ON S/N E007D-3325 .....	Page 213
WIRE HARNESS (Figure 112) SHIFTER AUTOSHIFT FIRST USED ON S/N E007D-3325 .....	Page 214
WIRE HARNESS (Figure 113) MONOTROL FIRST USED ON S/N E007D-3325 .....	Page 215
WORK, BRAKE/BACK-UP, FRONT & REAR DRIVE LIGHT (Figure 209) ...	Page 406